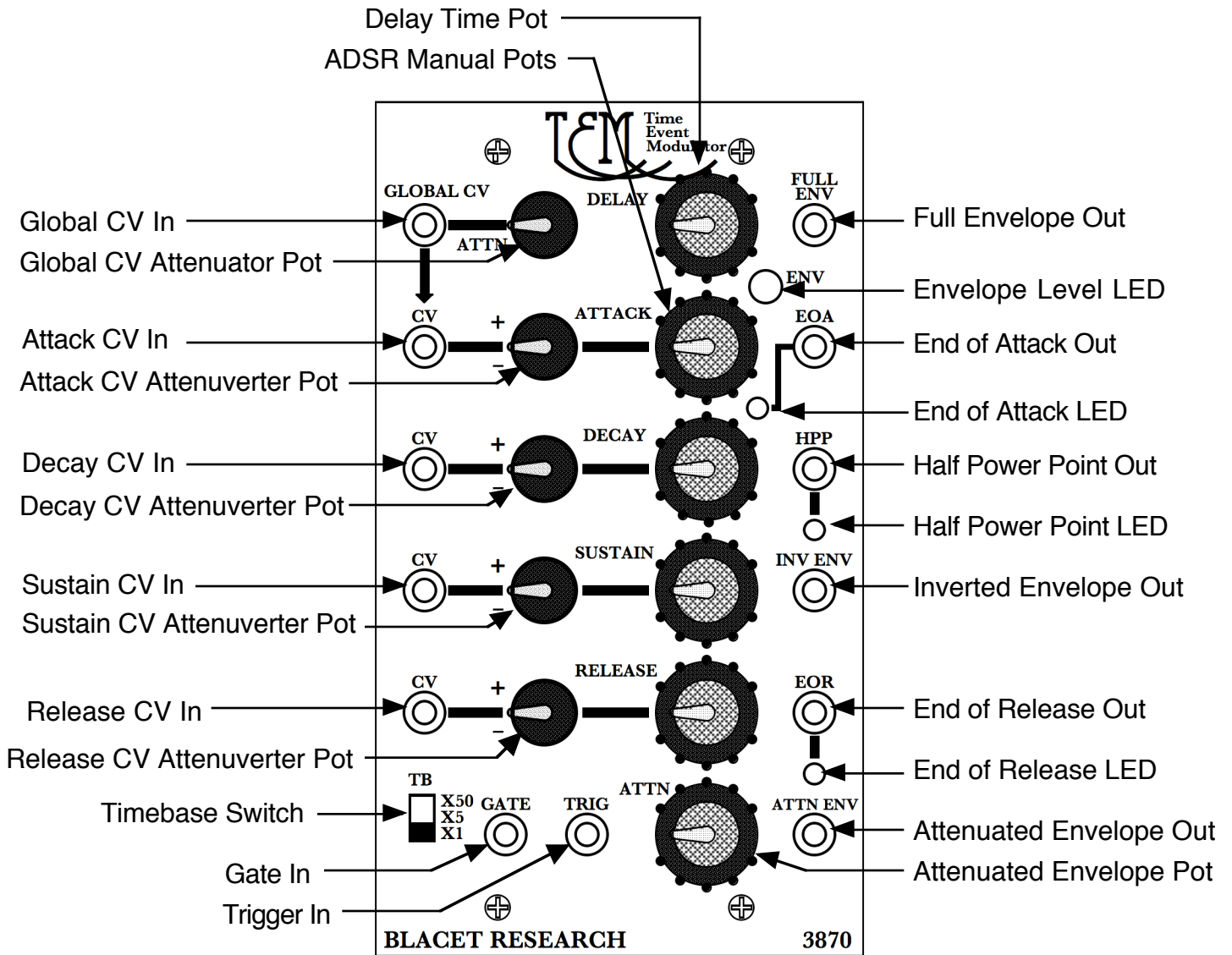


Blacet EG3870 Time Event Modulator Specifications



Notes:

Inverted envelope is normalled to Global CV In.
 Attenuated Global CV is normalled to ADSR CV Ins.
 Half Power Point is when the descending envelope crosses 5V.

Specifications:

Envelope: 0-10V
 Inverted Envelope: 10-0V
 Delay Range: 0-10 S
 Envelope Range: 1 mS (Attack) to 6M (Release from maximum Sustain)
 CV Inputs Range: +/- 10V
 Dimensions: 5.25 x 3.0 x 3.5"D
 Power Requirements: +15V @ 77 mA, -15V @ 64 mA